

# Press Control

Series PPCC

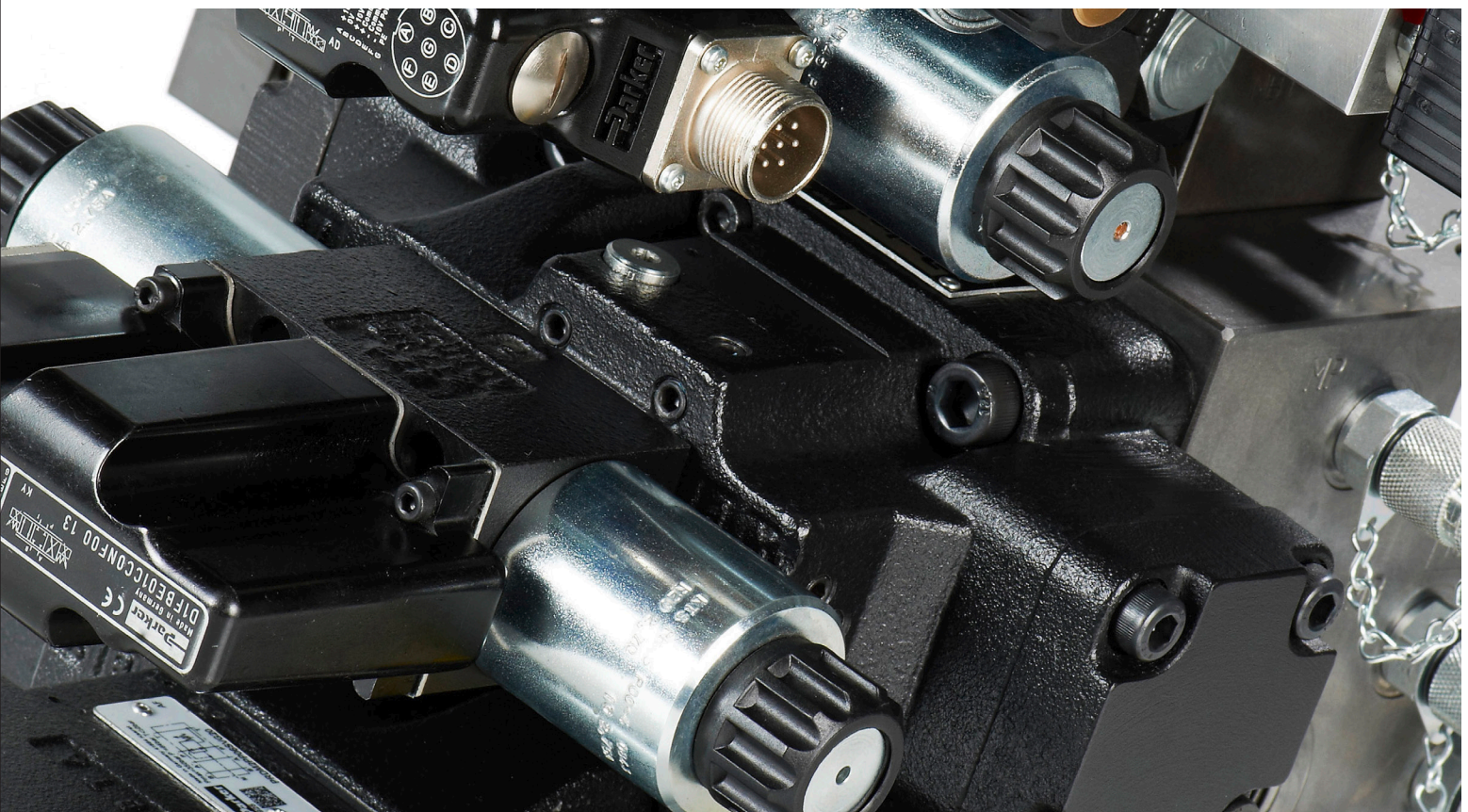


ENGINEERING YOUR SUCCESS.

# Our new press control concept

The modular design of Parker press controls has proven over many years to offer reliable and versatile solutions for a wide variety of hydraulic presses. In line with Parker's requirements, individual modules have been repeatedly optimized to help improve the applications of our customers.

- New design of the basic manifold for more flexibility
- Significant reduction of pressure losses
- Numerous function variations which can be implemented without additional blocks
- Suitable for servo valves and hybrid valves



Parker now presents a completely new generation of press control modular manifolds which meet the highest energy efficiency and functionality demands while adhering to the established safety concept: Press Control PPCC series. The modular system is characterized by a series of innovative features and detail improvements:

With this variety of functions the PPCC series, in nominal sizes NG10, NG16, and NG25, is suitable for virtually all hydraulic press types. The noted short delivery times also guarantee fast implementation of individual solutions tailored precisely to customer needs.

The future is now: The PPCC series is available now in all nominal sizes.

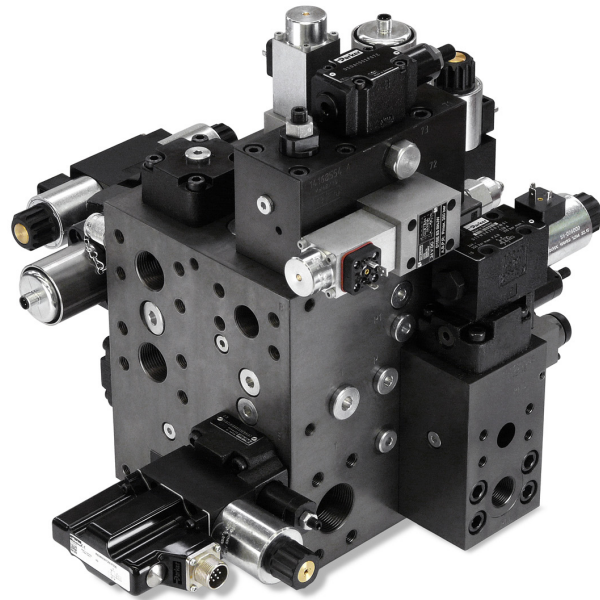


# More functions in less space

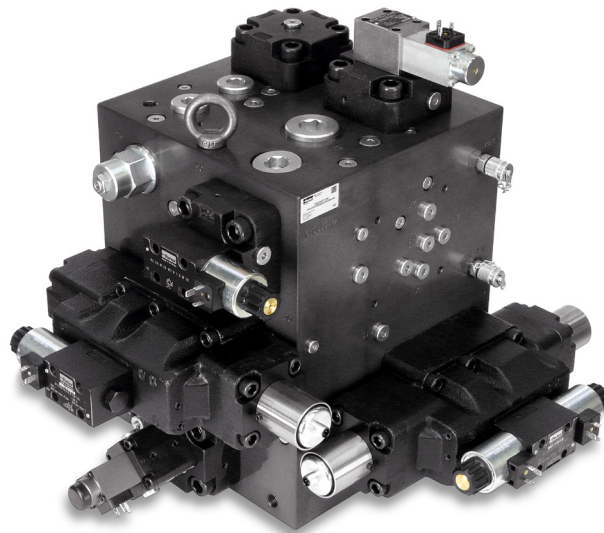
Series improvements: With the Parker press control manifolds, the customer's wishes and suggestions have been implemented in new or optimized functions. The result is a concept which is more versatile and easier to customize than ever before.

## Main characteristics:

- **Modular design:** resulting in delivery times of only four weeks for standard solutions
- **Easily configurable:** enabling the control to be quickly and comfortably adjusted to almost all hydraulic presses via the valve equipment
- **More compact dimensions:** allowing solutions in the tightest of spaces
- **Flexible installation:** making supply ports possible from two sides
- **Manifold design with reduced pressure losses:** resulting in improved energy efficiency
- **Integration of secondary functions:** so that up to two NG06 stations can be mounted
- **Simple load sensing:** ready-integrated into the basic manifold
- **Connection options for pressure sensors:** integrated into the manifold
- **Proven safety concept:** with type examination by the German industrial insurance association "BG" in accordance with DIN EN 693. Meets DIN EN 289
- **More precision:** identical control concept even for close-loop controlled press applications
- **Cost-effective regenerative controls:** smaller pump sizes are possible through the use of hybrid valves
- **Optionally with attachable module for set-up mode**



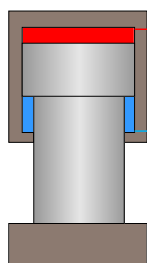
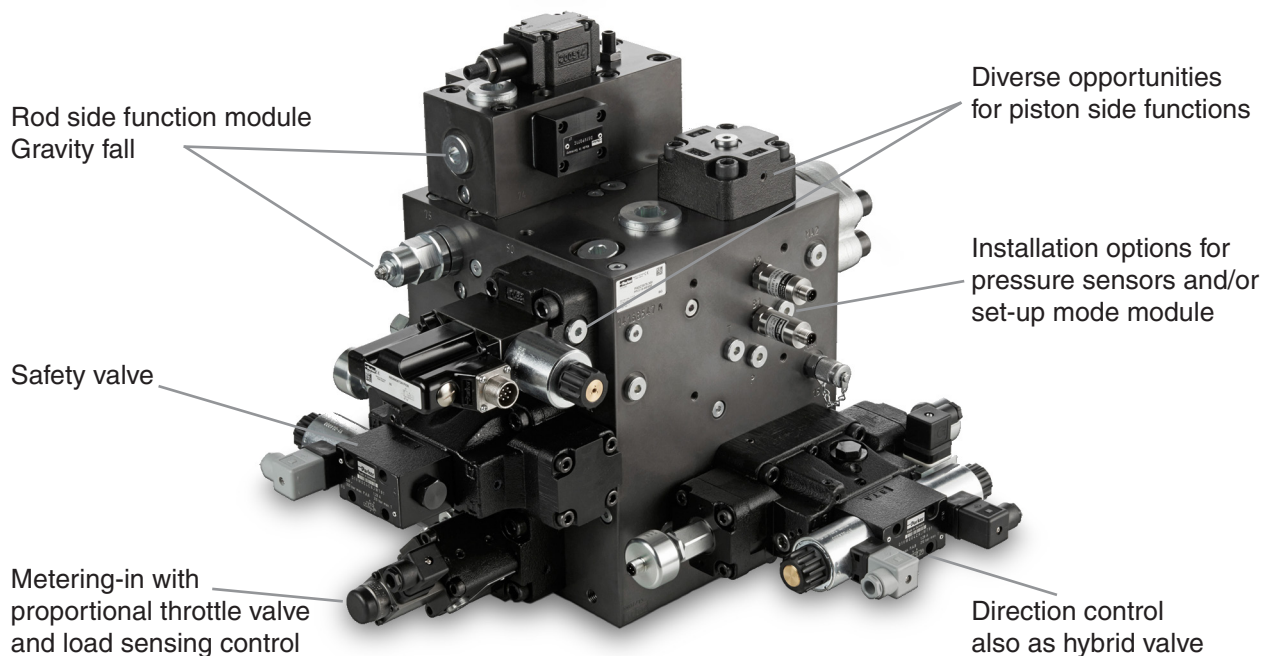
PPCC10



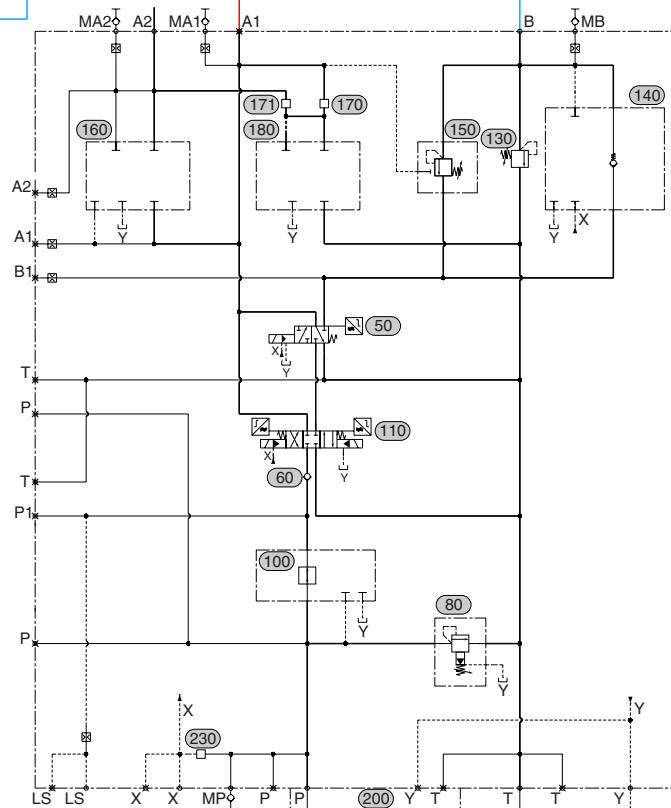
PPCC25

PPCC16 see cover page

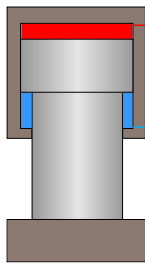
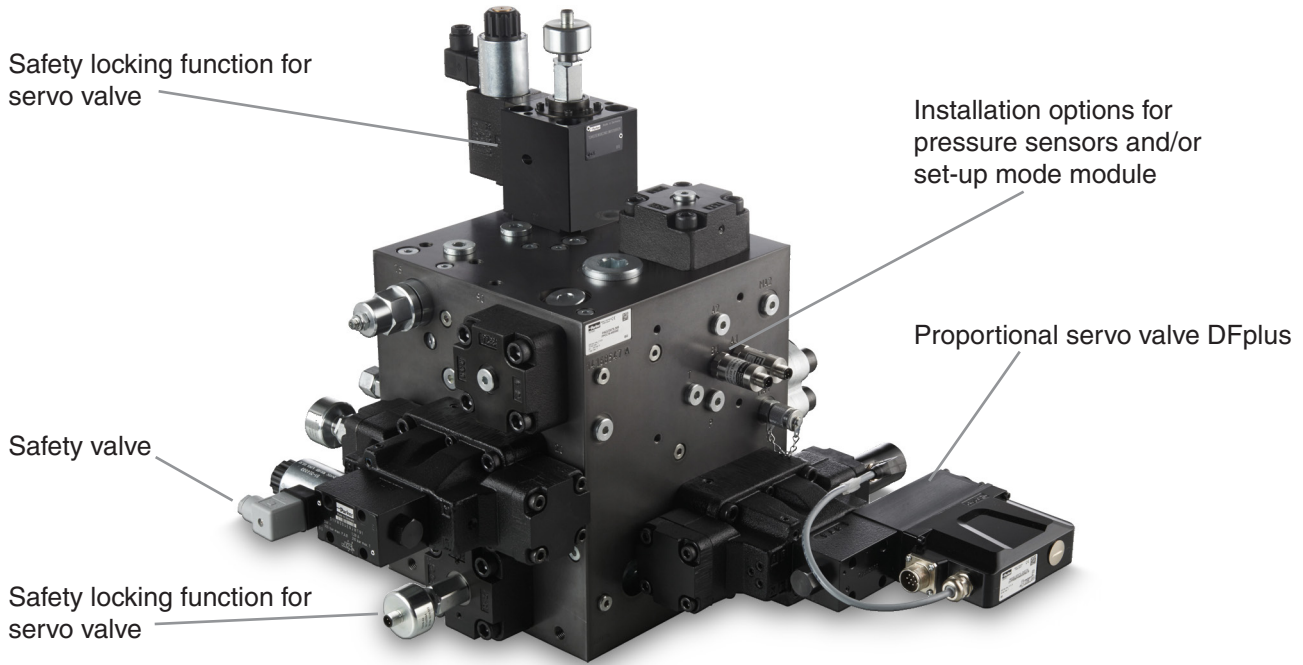
# The design: with directional control valve...



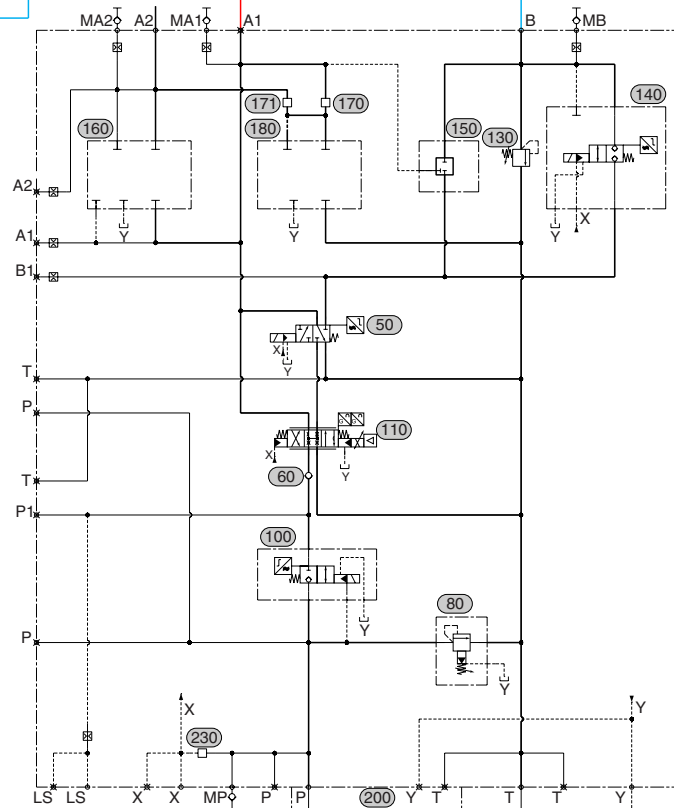
Basic manifold



# ...or with proportional servo valve



Basic manifold



# Possible functions and applications

## Functions

- **Flow control with a proportional throttle valve (TDA) in the P port**  
Advantages: No influence at the proven safety concept, no throttling of the flow to T
- **Directional control valve function**  
Directional control available as:
  - Standard directional control valve D\*1VW or D\*1VWZ (hybrid function) with position control
  - Proportional valve D\*1FP or D\*1FPZ (Hybrid-function) with additional position controlled shut off valves in the P port and on the rod side
- **Gravity fall**
  - Check function
  - Gravity fall
  - Gravity fall with setup mode
- **Pressure relief valve at the P side**
  - Pressure relief valve at the P side
  - Pressure relief valve
  - Pressure relief valve with vent function
  - Proportional pressure relief valve with OBE or without OBE
  - Proportional pressure relief valve with OBE or without OBE and load sensing port
- **Load holding valve at the rod side**
  - Preload valve – direct operated pressure relief valve
  - Counterbalance valve
- **Decompression / fast move up**
  - Proportional pressure relief valve
  - Shut off valve normally open or normally closed
- **Shut off function piston side**
- **Shut off function in P and B for applications with servo valve**

## Applications

- **Differential cylinder**
- **Rapid motion cylinder**
- **Gravity fall**
- **Downstroke press**
- **Upstroke press**
- **Selectable press function**
- **Regenerative circuit**
- **Double pump**
- **Load sensing pump**
- **Pressure retention function**
- **Spring-loaded tools**
- **Decompression – proportional**
- **Prefill valve control**
- **Safety lock control**
- **Set-up mode**



# Technical data

General						
Mounting position	unrestricted, port B as close as possible to the cylinder					
Standards fulfilled	Conformity for installation in hydraulic presses according to DIN EN 693: 2011-11. Can also be used for presses according to DIN EN 289:2014-09. For the corresponding application the stop-function of performance level "e" according to DIN EN ISO 13849-1 can be achieved.					
Size				<b>NG10</b>	<b>NG16</b>	<b>NG25</b>
Weight			[kg]	92	165	291
Ports basic manifold	P	350 bar	(2x) SAE62	SAE 1" (G 3/4)	SAE 1 1/4" (G 1)	SAE 1 1/2" (G 1 1/4)
	T	10 bar	(2x) SAE61	SAE 1 1/2" (G 1 1/4)	SAE 2" (G 1 1/2)	SAE 2 1/2" (G 2)
	A1; A2	350 bar	SAE62	SAE 1" (G 3/4)	SAE 1 1/2" (G 1 1/4)	SAE 2" (G 1 1/2)
	B	350 bar	SAE62	SAE 1" (G 3/4)	SAE 1 1/2" (G 1 1/4)	SAE 1 1/2" (G 1 1/4)
Valve types used	Flow control	Code A		TDA016	TDA025	TDA032
	Isolating function	Code C		C10C3E016	C10C3E025	C10C3E032
	Directional valve	Code V		D31NW	D41VW	D91VW
		Code Z		nicht möglich	D41VWZ	D91VWZ
		Code P		D31FP	D41FP	D91FP
Code Q		nicht möglich	D41FPZ	D91FPZ		
System pressure relief	Code P; K Code T; L		RE06M*W RE06M*T	RE06M*W RE06M*T	RE06M*W RE06M*T	
Outlet valve	Code P Code T Code U; W		RE06M*W RE06M*T CE025C08	RE06M*W RE06M*T CE025C08	RE06M*W RE06M*T CE025C08	
Hydraulic						
Ambient temperature			[°C]	-20...+50 °C		
Fluid	Hydraulic oil according to DIN 51524					
Fluid temperature			[°C]	-20...+60 °C		
Viscosity	permitted		[cSt] / [mm²/s]	30...80		
	recommended		[cSt] / [mm²/s]	20...400		
Filtration	ISO 4406 (1999); 18/16/13					
Flow maximum	port P, directional valve		[l/min]	120	270	470
	port A1; A2		[l/min]	240	540	940
Max. operating pressure			[bar]	350		

SAE61 = 3000 psi - Series  
SAE62 = 6000 psi - Series

Scope of delivery includes valves without plugs, monitor switch with protective cover.



# Parker Worldwide

## Europe, Middle East, Africa

**AE – United Arab Emirates,**  
Dubai

Tel: +971 4 8127100  
parker.me@parker.com

**AT – Austria,** Wiener Neustadt

Tel: +43 (0)2622 23501-0  
parker.austria@parker.com

**AT – Eastern Europe,** Wiener  
Neustadt

Tel: +43 (0)2622 23501 900  
parker.easteurope@parker.com

**AZ – Azerbaijan,** Baku

Tel: +994 50 2233 458  
parker.azerbaijan@parker.com

**BE/LU – Belgium,** Nivelles

Tel: +32 (0)67 280 900  
parker.belgium@parker.com

**BG – Bulgaria,** Sofia

Tel: +359 2 980 1344  
parker.bulgaria@parker.com

**BY – Belarus,** Minsk

Tel: +48 (0)22 573 24 00  
parker.poland@parker.com

**CH – Switzerland,** Etoy

Tel: +41 (0)21 821 87 00  
parker.switzerland@parker.com

**CZ – Czech Republic,** Klecany

Tel: +420 284 083 111  
parker.czechrepublic@parker.com

**DE – Germany,** Kaarst

Tel: +49 (0)2131 4016 0  
parker.germany@parker.com

**DK – Denmark,** Ballerup

Tel: +45 43 56 04 00  
parker.denmark@parker.com

**ES – Spain,** Madrid

Tel: +34 902 330 001  
parker.spain@parker.com

**FI – Finland,** Vantaa

Tel: +358 (0)20 753 2500  
parker.finland@parker.com

**FR – France,** Contamine s/Arve

Tel: +33 (0)4 50 25 80 25  
parker.france@parker.com

**GR – Greece,** Athens

Tel: +30 210 933 6450  
parker.greece@parker.com

**HU – Hungary,** Budaörs

Tel: +36 23 885 470  
parker.hungary@parker.com

**IE – Ireland,** Dublin

Tel: +353 (0)1 466 6370  
parker.ireland@parker.com

**IT – Italy,** Corsico (MI)

Tel: +39 02 45 19 21  
parker.italy@parker.com

**KZ – Kazakhstan,** Almaty

Tel: +7 7273 561 000  
parker.easteurope@parker.com

**NL – The Netherlands,** Oldenzaal

Tel: +31 (0)541 585 000  
parker.nl@parker.com

**NO – Norway,** Asker

Tel: +47 66 75 34 00  
parker.norway@parker.com

**PL – Poland,** Warsaw

Tel: +48 (0)22 573 24 00  
parker.poland@parker.com

**PT – Portugal,** Leca da Palmeira

Tel: +351 22 999 7360  
parker.portugal@parker.com

**RO – Romania,** Bucharest

Tel: +40 21 252 1382  
parker.romania@parker.com

**RU – Russia,** Moscow

Tel: +7 495 645-2156  
parker.russia@parker.com

**SE – Sweden,** Spånga

Tel: +46 (0)8 59 79 50 00  
parker.sweden@parker.com

**SK – Slovakia,** Banská Bystrica

Tel: +421 484 162 252  
parker.slovakia@parker.com

**SL – Slovenia,** Novo Mesto

Tel: +386 7 337 6650  
parker.slovenia@parker.com

**TR – Turkey,** Istanbul

Tel: +90 216 4997081  
parker.turkey@parker.com

**UA – Ukraine,** Kiev

Tel: +48 (0)22 573 24 00  
parker.poland@parker.com

**UK – United Kingdom,** Warwick

Tel: +44 (0)1926 317 878  
parker.uk@parker.com

**ZA – South Africa,** Kempton Park

Tel: +27 (0)11 961 0700  
parker.southafrica@parker.com

## North America

**CA – Canada,** Milton, Ontario

Tel: +1 905 693 3000

**US – USA,** Cleveland

Tel: +1 216 896 3000

## Asia Pacific

**AU – Australia,** Castle Hill

Tel: +61 (0)2-9634 7777

**CN – China,** Shanghai

Tel: +86 21 2899 5000

**HK – Hong Kong**

Tel: +852 2428 8008

**IN – India,** Mumbai

Tel: +91 22 6513 7081-85

**JP – Japan,** Tokyo

Tel: +81 (0)3 6408 3901

**KR – South Korea,** Seoul

Tel: +82 2 559 0400

**MY – Malaysia,** Shah Alam

Tel: +60 3 7849 0800

**NZ – New Zealand,** Mt Wellington

Tel: +64 9 574 1744

**SG – Singapore**

Tel: +65 6887 6300

**TH – Thailand,** Bangkok

Tel: +662 186 7000

**TW – Taiwan,** Taipei

Tel: +886 2 2298 8987

## South America

**AR – Argentina,** Buenos Aires

Tel: +54 3327 44 4129

**BR – Brazil,** Sao Jose dos Campos

Tel: +55 800 727 5374

**CL – Chile,** Santiago

Tel: +56 2 623 1216

**MX – Mexico,** Toluca

Tel: +52 72 2275 4200

### EMEA Product Information Centre

Free phone: 00 800 27 27 5374

(from AT, BE, CH, CZ, DE, DK, EE, ES, FI, FR, IE, IL,  
IS, IT, LU, MT, NL, NO, PL, PT, RU, SE, SK, UK, ZA)

### US Product Information Centre

Toll-free number: 1-800-27 27 537

www.parker.com

