



# News 2018 Zero-Point-Systems

Marco Lechnitz





## > Agenda

### **Agenda for start-up meeting 2018**

- > Innovations 2018
- > Product information for mechanical clamping modules
- > Discontinued product 2017

## > Innovations 2018

### Height compensation element K20

- > Size: K20
- > Compensation: 10 mm
- > Supporting force : 30 kN
- > Mounting torque : 60 Nm
  
- > Product launch:  
in the 3 quarter of 2018





## ■ > Innovations 2018

### Height compensation element

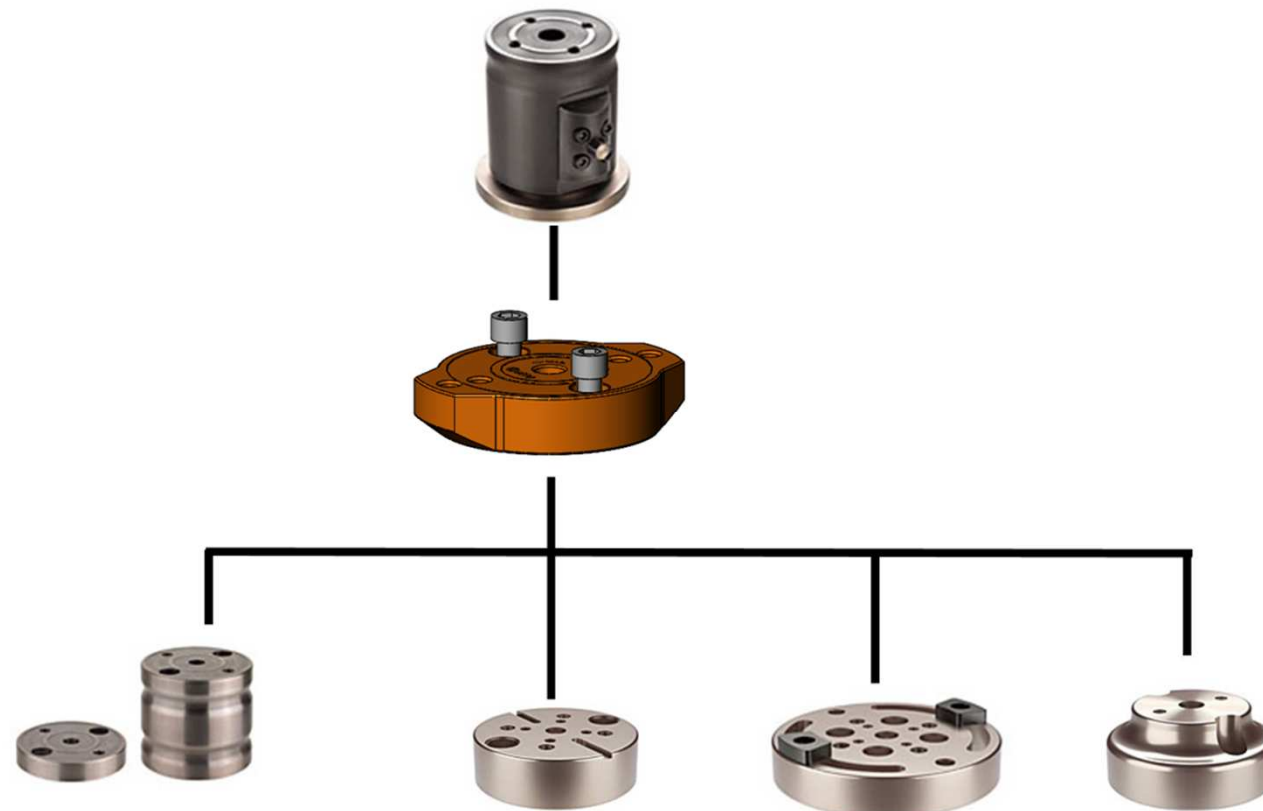
- > Changed design for mounting on machine table or adapter elements



## ■ > Innovations 2018

### Adapter for Z-compensation element

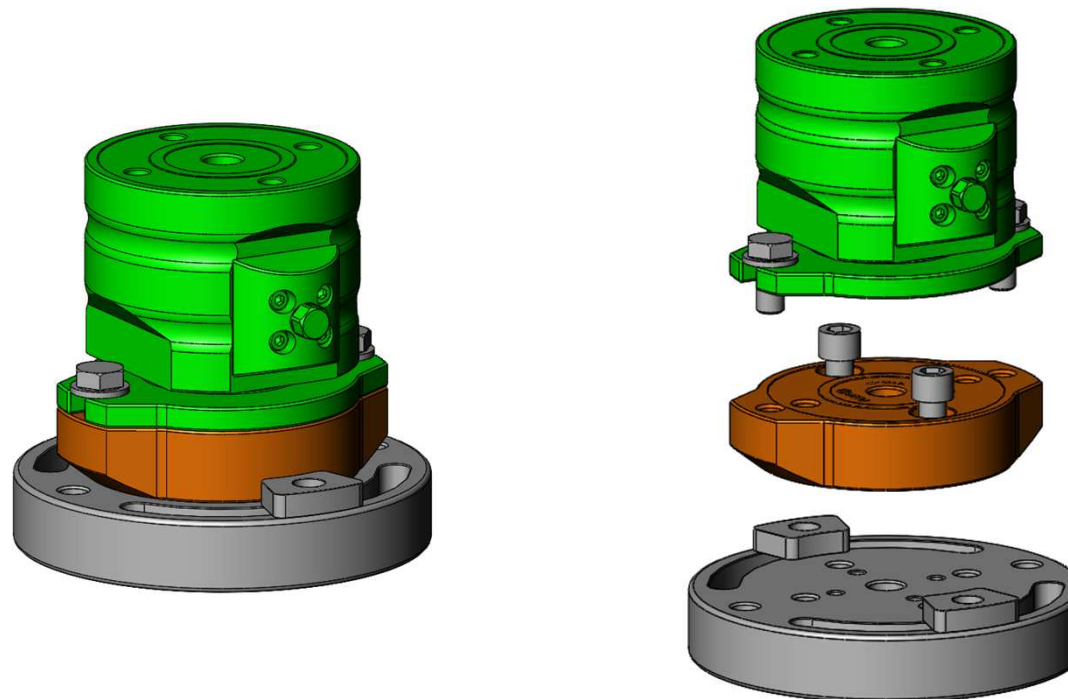
- > Adaptable to all foot and intermediate elements with adapter.



## > Innovations 2018

### Adapter for Z-compensation element

- > Will be there for the size K10 and K20.
- > Construction each size: 30 mm
- > Selling price: K10: 267,00 Euro
- > K20: 316,00 Euro



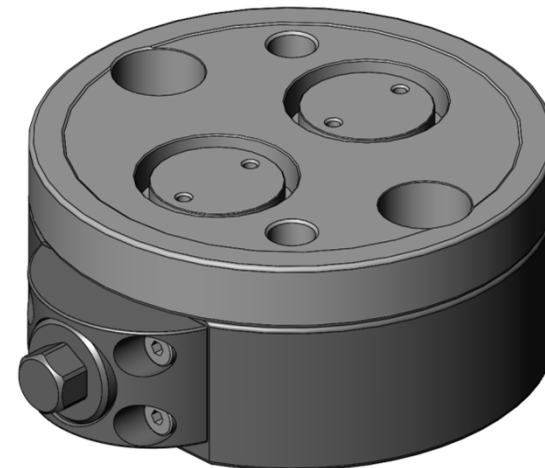
## > Innovations 2018

### X-Y compensation element K10 and K20

- > **Size:** **K10**
- > Height: 40 mm
- > Compensation X-Y: +/- 2 mm
- > Compensation C: +/- 5°

- > **Size:** **K20**
- > Height: 50 mm
- > Compensation X-Y: +/- 2 mm
- > Compensation C: +/- 5°

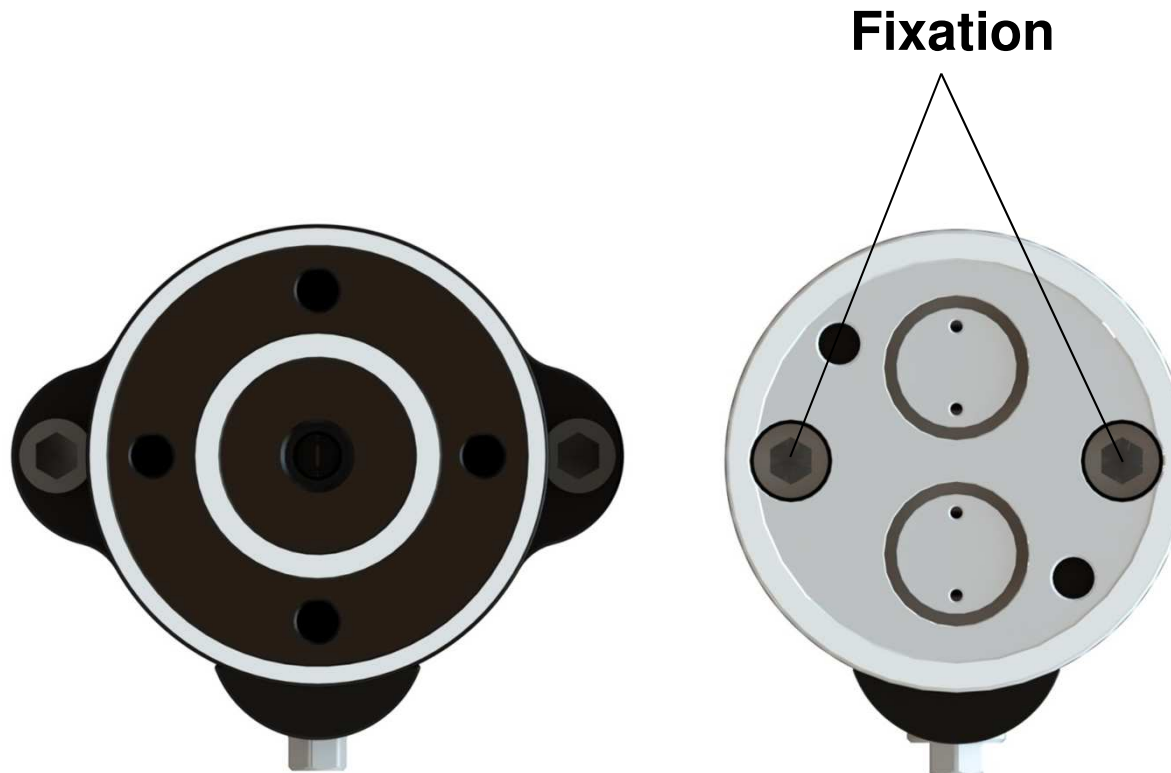
- > Product launch:  
in the 3 quarter of 2018





**> Innovations 2018**

## X-Y compensation element K10 and K20







**> Innovations 2018**

**New design for Z - and XY - compensation**

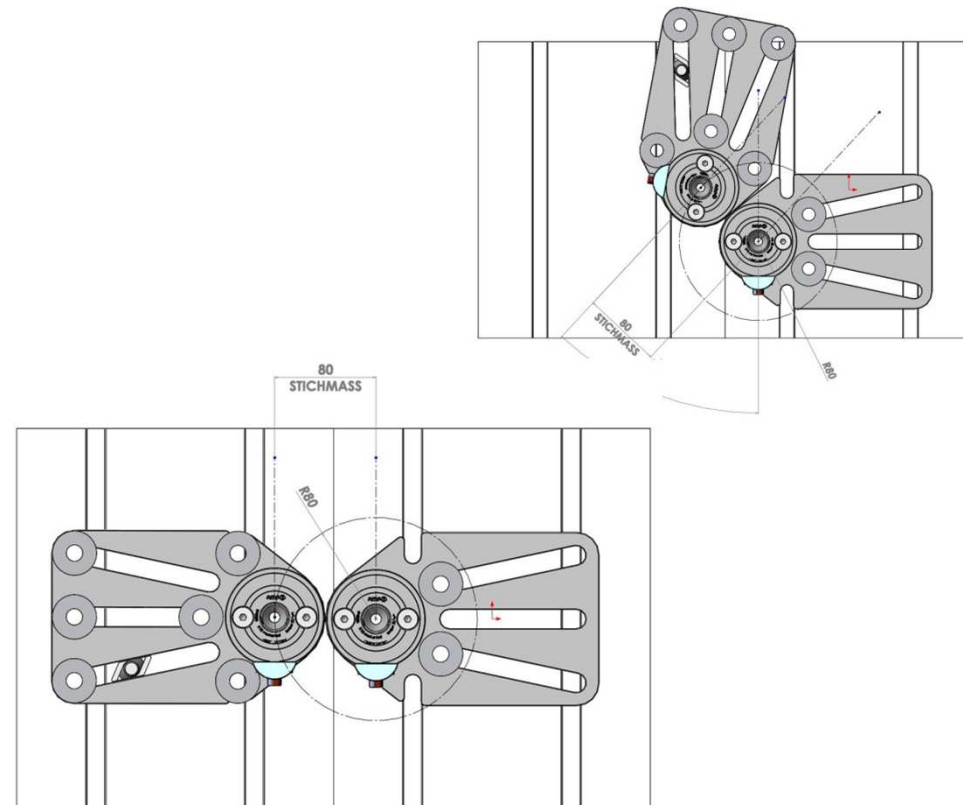
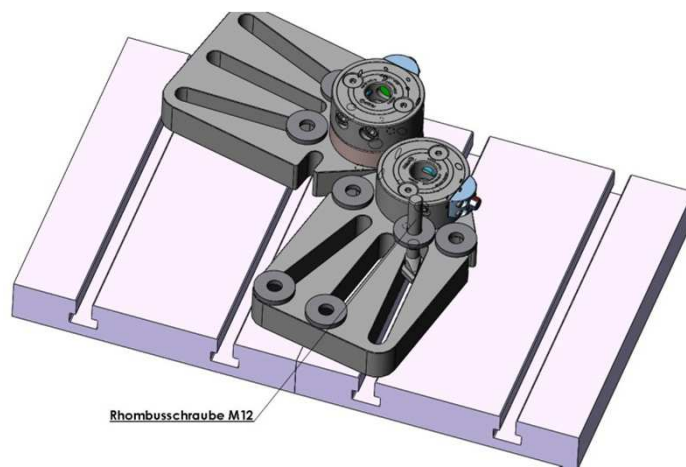




## > Innovations 2018

### Foot element K10 and K20 for the modular kit

- > Foot element for fixing on the machine table



## > Innovations 2018

### Quick coupling hydraulic

- > Quick coupling „flat-face“ with **G1/8** internal thread
- > Pressure: max. 300 bar
- > Nominal size: 4
- > Selling price
  - > Plug: 26,80 Euro
  - > Sleeve: 40,80 Euro



## > Innovations 2018

### Hydraulic hose

- > Hydraulic hose for modular kit
- > Pressure: max. 300 bar
- > Length: 1 Meter
- > Connection: **G1/8** and **G1/4**
- > Selling price: 49,80 Euro



## > Innovations 2018

### K5.3 with sensor monitoring

- > System: K5.3
- > Opening pressure: min. 5 bar
- > Monitoring: open / closed (sensors)
  
- > Order-no.: 558051
- > Selling price: 1.670,00 Euro/pcs.



## > Product information for mechanical clamping modules

### Mechanical clamping modules K10 und K20

#### > Size K10

- > We are developing a new clamping pull-stud for this module.
- > There is a risk of breakage, existing clamping pull-stud should not be used.

#### > Size K20

- > Clamping pull-stud with M12 screw can be used.
- > Not suitable for: Clamping pull-stud with screw M16 and clamping pull-stud for compensation (floating nipple).



■ > **Discontinued product 2017**

## 4-point clamping station, mechanical



## ■ > Discontinued product 2017

### Centering vice „Black-Edition“

- > Product discontinued in september 2017
- > Remainder: 9 pieces with ribbed/claw jaws  
Sale for a special price





**> Discontinued product 2017**

## Pneumatic pressure booster cabinet



## > Discontinued product 2017

### Clamping module with locking-control and monitoring for the pull-stud

- > Product discontinued in september 2017
- > Design: K10 and K10.3
- > Remainder: no stock available
- > The technical solutions for a new version, with monitoring for the clamping pull-stud will be designed





■ > Thank you!

Danke für Ihre Aufmerksamkeit.

*Tack.* Merci beaucoup. Thank you. ¡muchas gracias!

*Grazie.* Dziękujemy. Спасибо. *Tak.* Bedankt.

**Für Fragen und Anregungen stehe ich  
natürlich gerne zur Verfügung ...**