

PUMP SPARES

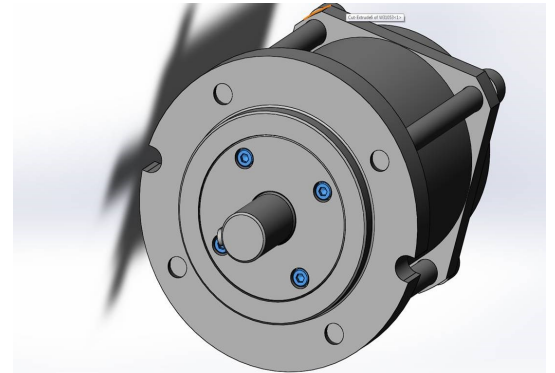
P30 MECHANICAL SEAL REPLACEMENT

Always follow instructions carefully when replacing the mechanical seal assembly.

Replacement Seal Kit	
Description	Quantity
Drive Shaft	1
Seal Housing	1
Mechanical Seal	1
O-Ring	1

STEP 1

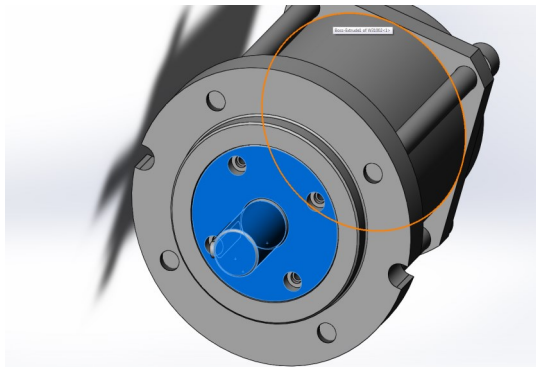
Once the pump has been removed from the bell housing, remove the shaft coupling and the 4 cap screws (highlighted in blue). The seal housing can now be removed.



STEP 2

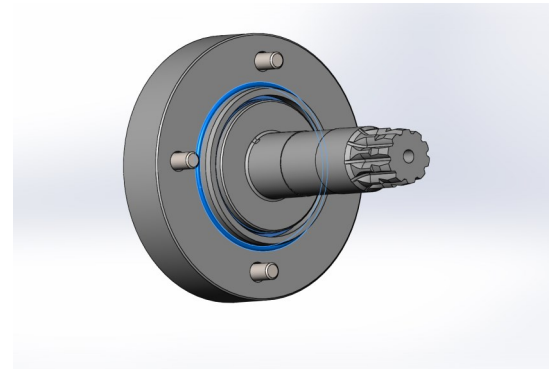
The shaft and seal housing (highlighted in blue) can then be withdrawn from the pump. Care should be taken not to disturb the internals at this point.

The new shaft, seal housing and mechanical seal are now ready to be fitted in to the pump.



STEP 3

Please ensure the O ring (highlighted in blue) is fitted correctly, mount the assembly in to the pump.



STEP 4

Lower the shaft in to the bore then rotate the shaft to engage the spline. The shaft should be fully engaged with the thrust face against the internal thrust bearing.

STEP 5

Once the seal housing is pressed home, replace the 4-off cap screws taking care not to pull the shaft in with the screws.

STEP 6

Re-fit the shaft coupling. Please note: check the distance to ensure there is axial clearance and the pump shaft is not loaded axially.